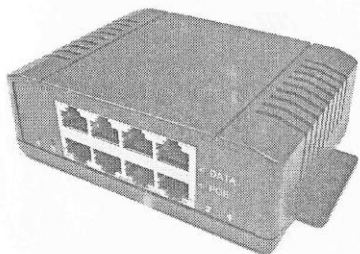


The DC/DC PoE (Power over Ethernet) Injector, accept 20V-60V DC input and four ports PoE output, output voltage is the same as input voltage, output power maximum 1.8A/port on all 4 pairs, data rate can be operating at 10M/100M/1000M.



4	3	2	1	Data input
4	3	2	1	Data + Power output

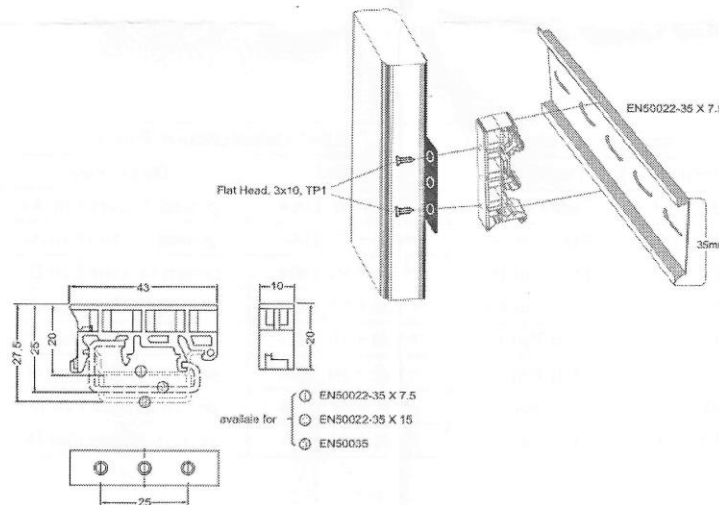
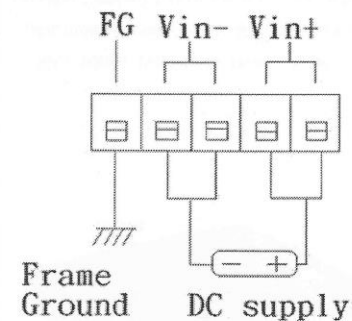
RJ-45 Input (Data Only)			RJ-45 Output (Data & Power)	
Pin	Symbol	Description	Symbol	Description
1	BI_DA+	Data Pair A+	-Vdc + BI_DA+	power(-)+Data Pair A+
2	BI_DA-	Data Pair A-	-Vdc + BI_DA-	power(-)+Data Pair A-
3	BI_DB+	Data Pair B+	+Vdc + BI_DB+	power(+)+Data Pair B+
4	BI_DC+	Data Pair C+	+Vdc + BI_DC+	power(+)+Data Pair C+
5	BI_DC-	Data Pair C-	+Vdc + BI_DC-	power(+)+Data Pair C-
6	BI_DB-	Data Pair B-	+Vdc + BI_DB-	power(+)+Data Pair B-
7	BI_DD+	Data Pair D+	-Vdc + BI_DD+	power(-)+Data Pair D+
8	BI_DD-	Data Pair D-	-Vdc + BI_DD-	power(-)+Data Pair D-

Note:

1. the model is a passive PoE injector – for use with compatible radios only.
2. RJ45 shield are connected to FG. Recommend use STP cable.



VIN+ & VIN- Polarity can be Reversed.



DIN RAIL MOUNTING AVAILABLE