



## TPSM-30-80-SP

Solar Mount for 30-85W  
solar panels

- Pole Mount
- Wall Mount
- Roof Mount



**Congratulations!** on your purchase of the TPSM-30-80-SP solar mount for 30W to 85W solar panels or other panels 16" to 26" wide. Please take a moment to review this Qwik Install Guide before installation.



**Recommended Tools:** M6 and M8 Wrenches. 5/16" socket for hose clamps

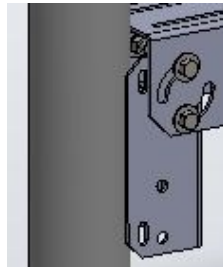
## Qwik Install

**STEP 0:** The TPSM-30-80 can be used to mount any solar panel with width between 16 and 26 inches (406-660mm). The mount can accommodate poles from 1.6" to 4" diameter (41-102mm). It can also be used for mounting to walls or roofs. The tilt adjustment is from 0° to 90° tilt.

**STEP 1:** Determine bracket mounting orientation. If pole diameter is less than 3", the bracket will be installed with flat side towards the pole. If pole diameter is 3" to 4", the bracket will be installed with open side toward the pole.

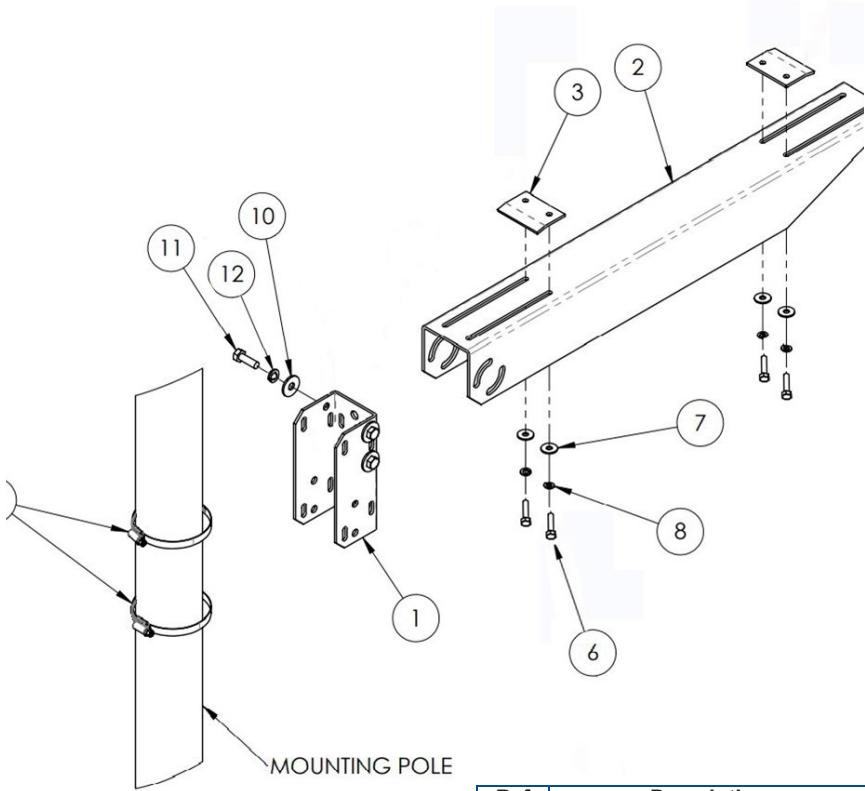


< 3" Diameter Pole



3-4" Diameter Pole

**STEP 2:** Mount the bracket to the arm using four 8mm bolts, nuts, washers and lock washers. Set the desired tilt angle and then tighten the 4 bolts to 144-in-lbs. Optimum tilt angle can be found using our tilt angle calculator: <http://tyconsystems.com/index.php/resources/tools>



**STEP 3:** Attach the two solar panel clamps to the arm using four 6mm bolts, washers, lock-washers and nuts. The clamping edges should be pointing away from each other. Don't tighten at this point, leave them loose.

**STEP 4:** Mount the bracket/arm assembly to the pole using two stainless steel hose clamps with the arm pointing South if in the Northern hemisphere or pointing North of in the Southern hemisphere. Tighten the hose clamp screws to at least 35-in-lbs.

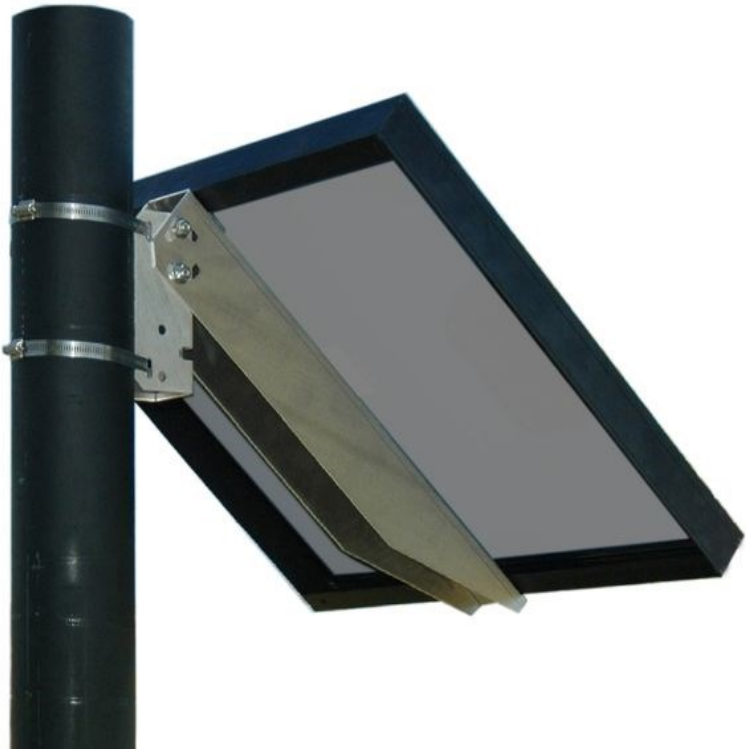
**STEP 5:** Mount the solar panel to the arm by sliding the solar panel clamp over the inside edge of the panel and tightening the two bolts. Tighten to 84-in-lbs.

Ref	Description
1	Pole Bracket
2	Solar Panel Bracket
3	Solar Panel Clamp
4	Hose Clamps
6	M6 Stainless Bolt
7	M6 Stainless Flat Washer
8	M6 Stainless Split Lock washer
10	M8 Stainless Flat Washer
11	M8 Stainless Bolt
12	M8 Stainless Split Lock Washer

**NOTE:** The order of STEP 2-5 can be changed if it is easier for your situation. For instance some people may like to mount the panel to the arm first and then attach the bracket to the pole and then attach the solar panel/arm assembly to the bracket.

The mounts are designed for up to 110MPH wind speeds. Do not use in areas with higher wind speeds.

The mounts are not designed for highly corrosive environments like marine applications.



### **Limited Warranty**

The TPSM-30-80-SP products are supplied with a limited 36 month warranty which covers material and workmanship defects. This warranty does not cover the following:

- Parts requiring replacement due to improper installation, misuse, poor site conditions, faulty power, etc.
- Lighting or weather damage.
- Physical damage to the external & internal parts.

- Products that have been altered, or defaced.
- Usage other than in accordance with instructions and the normal intended use.

## **Notes**