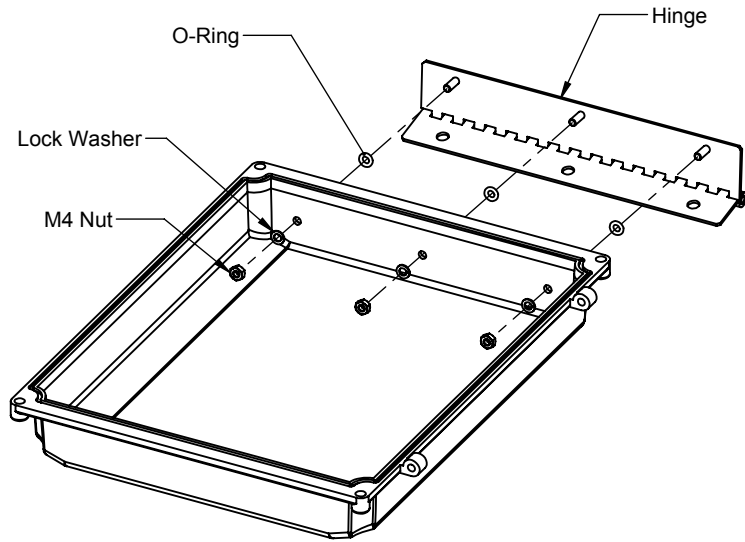
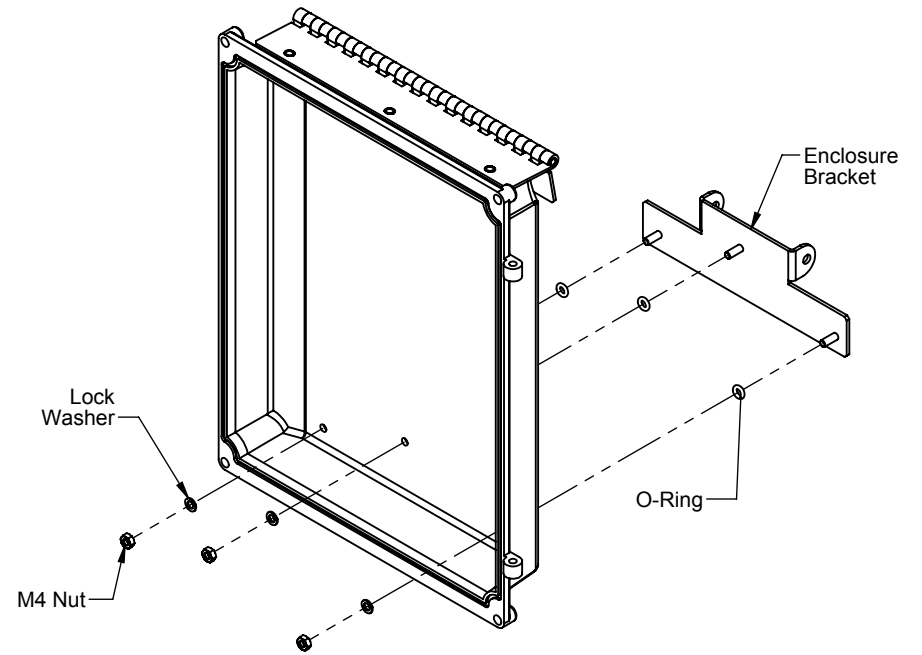


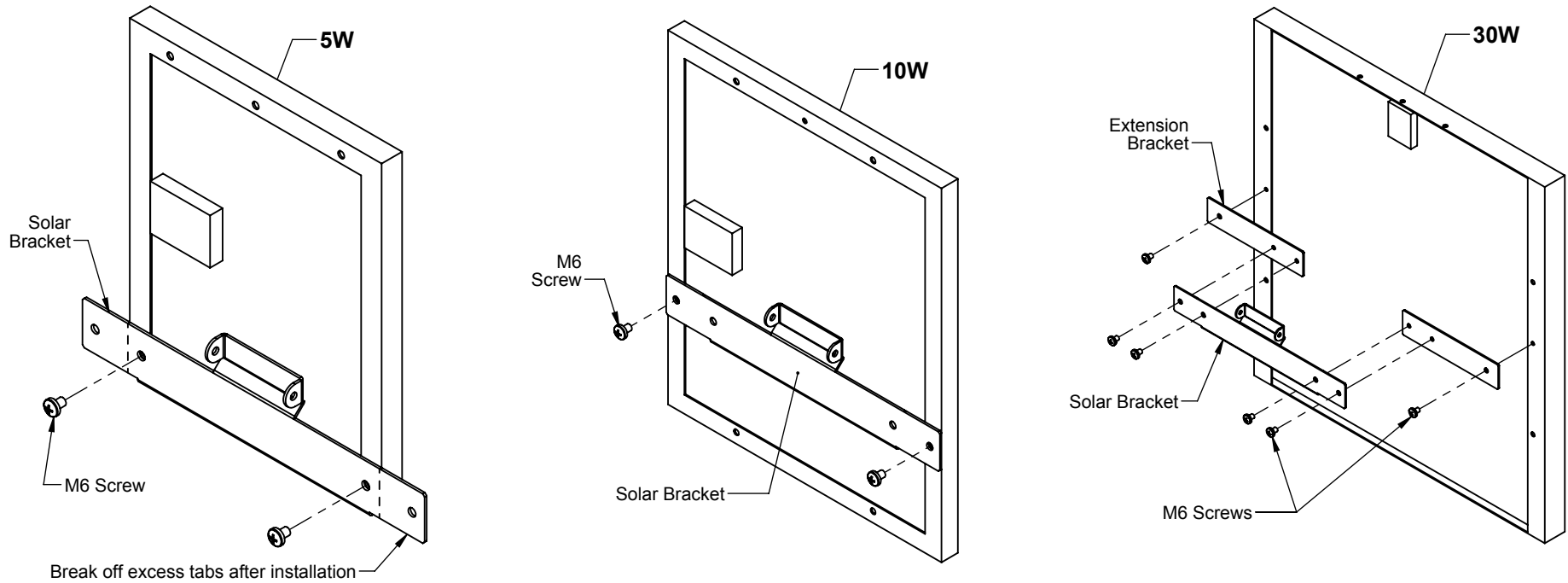
STEP 1 : Assemble hinge to enclosure lid using 3 o-rings, lock washers and M4 nuts.



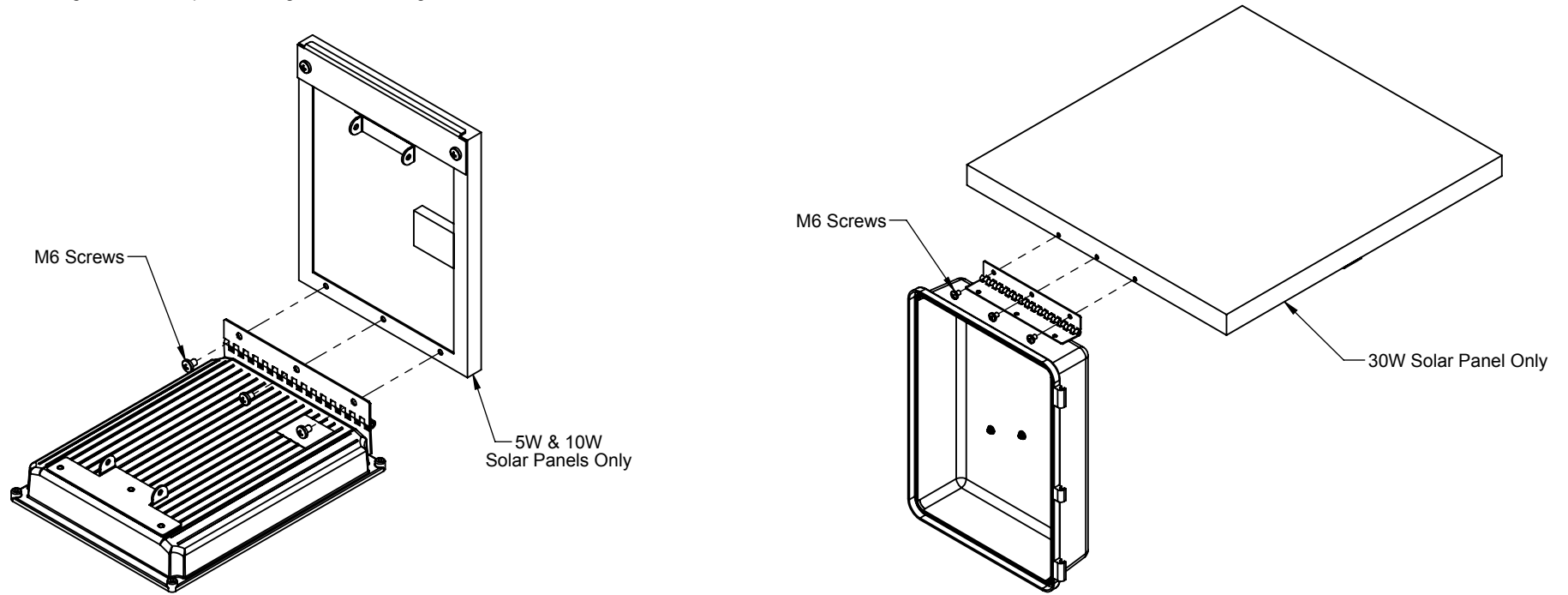
STEP 2 : Attach scissor support bracket to enclosure lid using 3 o-rings, lock washers and M4 nuts.



STEP 3 : Attach the solar support bracket to the various solar panels using thread cutting M6 screws and extension brackets as required below.



STEP 4 : Attach the hinge to the solar panels using 3 thread cutting M6 screws as shown.



STEP 5 : Complete by assembling the scissor bracket with M5 flange hex head screws and attaching to the enclosure. Adjust bracket by loosening flange hex head screws and positioning at desired angle.

