

### DC Voltage Converters

#### Features

- High Output, Short Circuit Protected
- Metal Enclosure, DIN rail mounting
- Industrial Temperature Operation
- Isolated Design
- Low Voltage Disconnect

#### Applications

- Security Systems
- Remote Power Systems
- Telecom Applications
- Wireless Base Stations



TP-VRHP-1256-250

#### Description

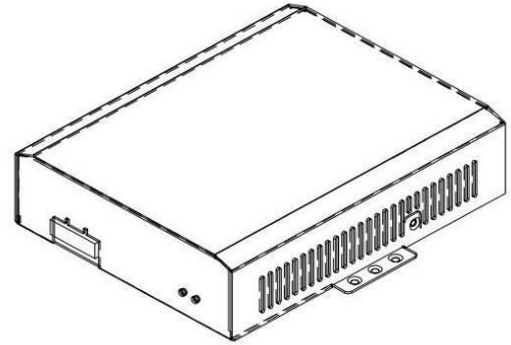
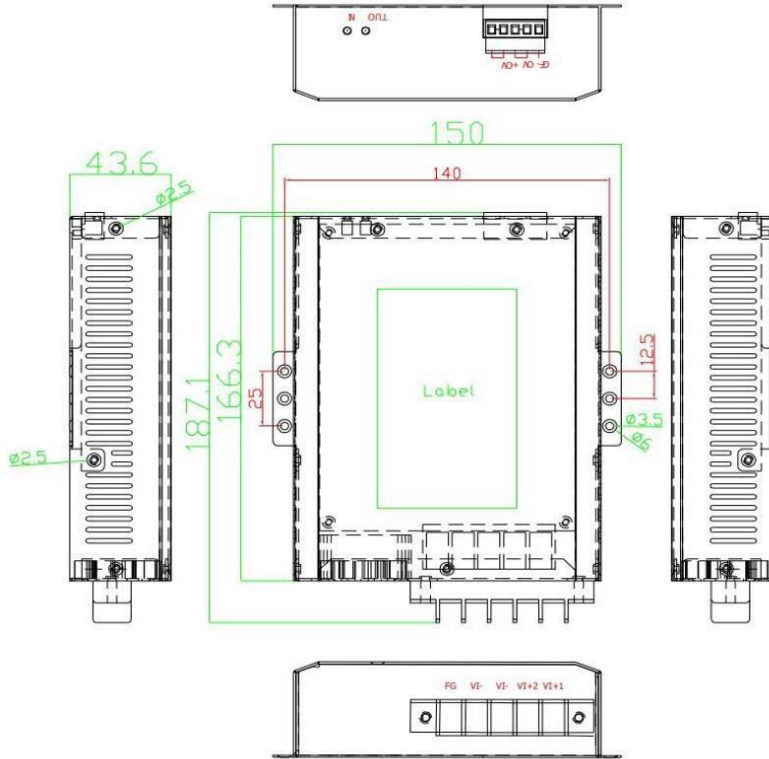
The TP-VRHP-1256-250 DC to DC converters offer high output voltage conversion in a compact metal enclosure. They have wire terminal inputs and outputs for maximum flexibility. The units come with DIN rail adapters for DIN rail mounting. They provide power output up to 250W.

The TP-VRHP-1256-250 has a battery saver feature. If voltage falls below 10V the DC to DC converter will turn off to save battery. As soon as the voltage returns to normal the DC to DC converter will power on.

#### Specifications

	TP-VRHP-1256-250
<b>DC Input Voltage Range</b>	+/- 10 to 15VDC
<b>DC Voltage Output</b>	56VDC @ 4.46A
<b>Maximum Power</b>	250W
<b>Input / Output Isolation</b>	Isolated
<b>Efficiency</b>	>83%
<b>Load / Line Reg</b>	5% / 1%
<b>Ripple / Noise</b>	2% / 5%
<b>Isolation</b>	1500VDC Min. / 100M Ohms Min
<b>Output Wire Gauge</b>	12AWG Maximum
<b>Input Wire Gauge</b>	12AWG Minimum
<b>In/Out LED</b>	Green = Normal
<b>Protections</b>	Short Circuit, Overvoltage, Overload
<b>Operating Temp</b>	-40°F to 158°F (-40°C to +70°C)
<b>Operating Humidity</b>	0 to 90% RH
<b>Size</b>	5.9 x 7.4 x 1.7" (150x187x43.6mm)
<b>Weight</b>	2.6lbs (1.2 kg)
<b>Warranty</b>	3 Years





### Ordering:

**TP-VRHP-1256-250**

10-15VDC IN, 56VDC @ 4.46A 250W Regulated Output, Isolated

**For further information contact:**

[Tyconsystems.com](http://Tyconsystems.com)



930 W 14600 S Ste 600  
Bluffdale UT 84065  
PH: 801-432-0003  
FAX: 801-618-4220