



ENC-PL-11x7x6

DATA SHEET

Polycarbonate Enclosure

Features

- Weatherproof Nema 4X / IP65, UV resistant, outdoor enclosure
- Hinged Door with toggle clamp closures
- Gasket Sealed and Lockable, Combo Lock Included
- Universal perforated backplate for flexible interior mounting
- Four Weatherproof 20mm holes & weatherproof plugs
- Wall and Pole Mountable (Includes Mounting Hardware)

Applications

- Wireless Base Stations and Clients
- Surveillance Cameras
- Wireless Bridge and Repeaters
- Remote Sensors
- Outdoor Utilities
- Solar and Wind Power

Description

The ENC-PL-11x7x6 outdoor enclosures are designed for applications that require a lightweight, sturdy, weatherproof, RF transparent enclosure to house various electronics. The hinged door is gasket sealed and secured with toggle clamps for closure. They include a combination lock to secure the door.

There is a perforated universal ABS backplate inside the enclosure that allows flexible mounting of customer devices using a #8 sheet metal screw.

They can be wall or pole mounted with the included hardware. The pole mounting can accommodate up to a 4" diameter pole. For larger diameter poles, stainless steel straps are available commercially to accommodate almost any diameter pole.

The enclosure comes with four 20mm holes with weatherproof plugs. The holes can be used as feedthroughs for cables and wire by using appropriate cable glands or conduit fittings.

The enclosure is UV protected polycarbonate for long service life. All hardware is corrosion resistant.

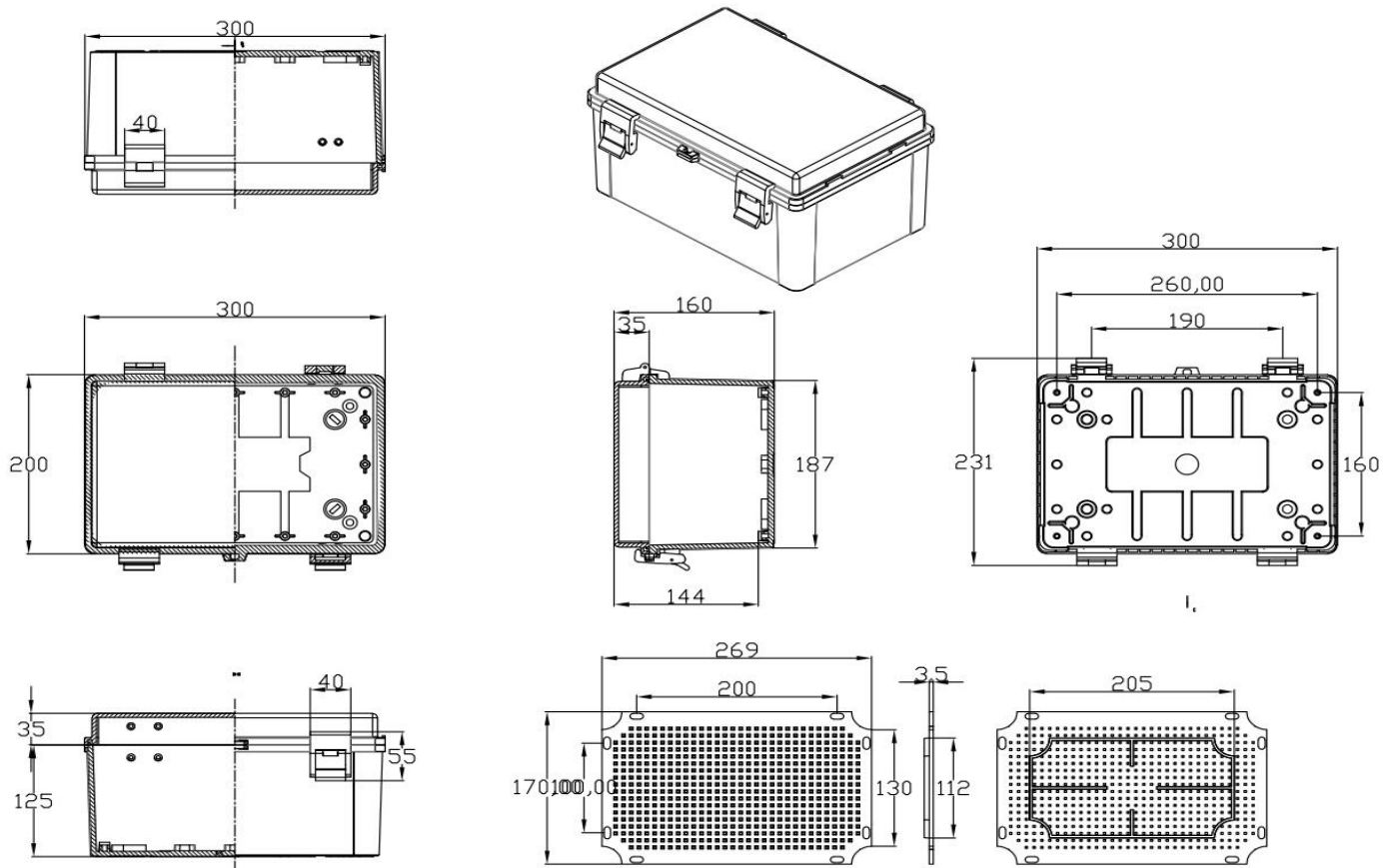


ENC-PL-11x7x6
Polycarbonate Enclosure



Specifications

Enclosure Type	UV Protected Polycarbonate
Weatherproofing	Nema 4X / IP65
Enclosure Mounting	Wall or pole mount with included hardware
Interior Mounts	Perforated ABS Plate, 7.5 x 7.5mm grid
Recommended screw for plate	#8 x 3/8 (4 x 9.5mm) sheet metal screw
Feedthrough Holes	Qty 4 20mm (0.787") diameter
Waterproof Hole Plugs	Qty 4 20mm gasketed screw plugs(included)
Pole Mount Type	Qty 2 Stainless Steel Hose Clamps (included)
External Size (LxWxD)	12 x 8.5 x 7" (305 x 216 x 178mm)
Internal Size (LxWxD)	11 x 7 x 6" (279 x 178 x 152mm)
Weight	4lb (1.8kg)
Warranty	3 Years



System Ordering:

ENC-PL-11x7x6 Outdoor UV Protected Polycarbonate Enclosure, 11x7x6"

For further information contact:

Tyconsystems.com



930 W 14600 S Suite 600
Bluffdale, UT 84065
PH: 801-432-0003
FAX: 801-618-4220