

## MAIN MEASUREMENTS

---

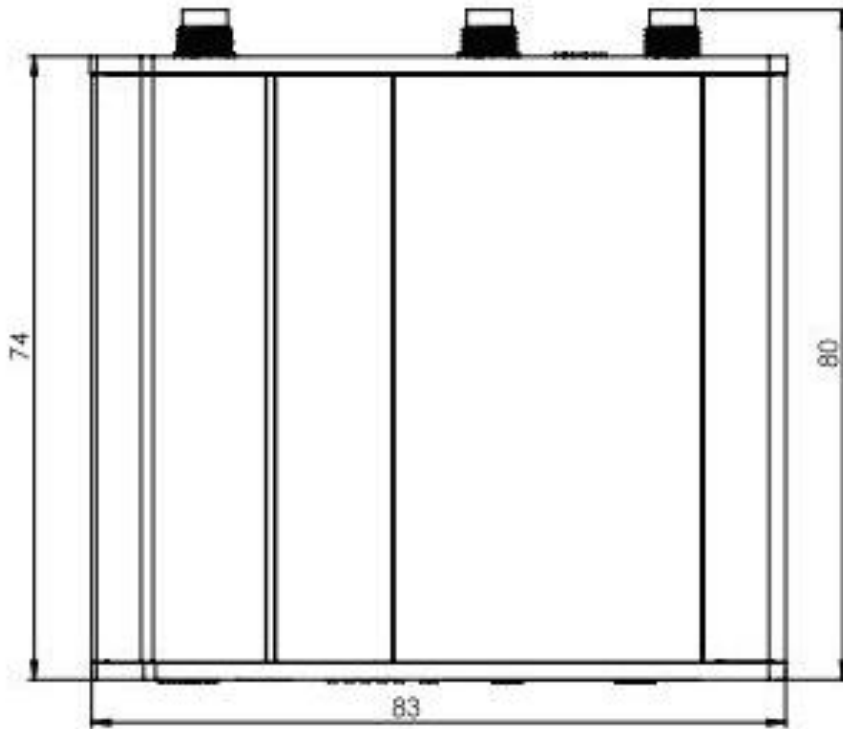
W x H x D dimensions for RUT241:

Device Housing: 83 x 25 x 74 mm  
Box: 173 x 71 x 748 mm

## TOP VIEW

---

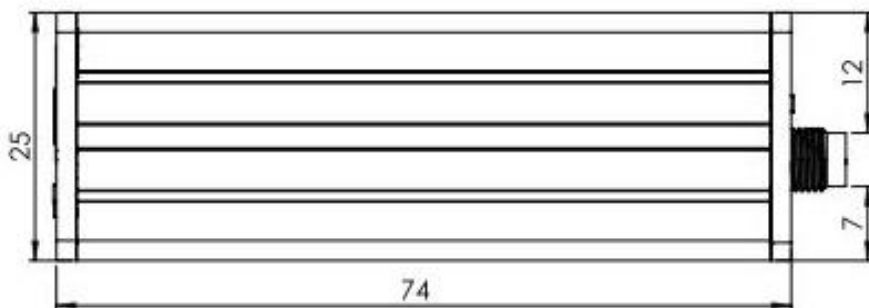
The figure below depicts the measurements of RUT241 and its components as seen from the top:



## RIGHT VIEW

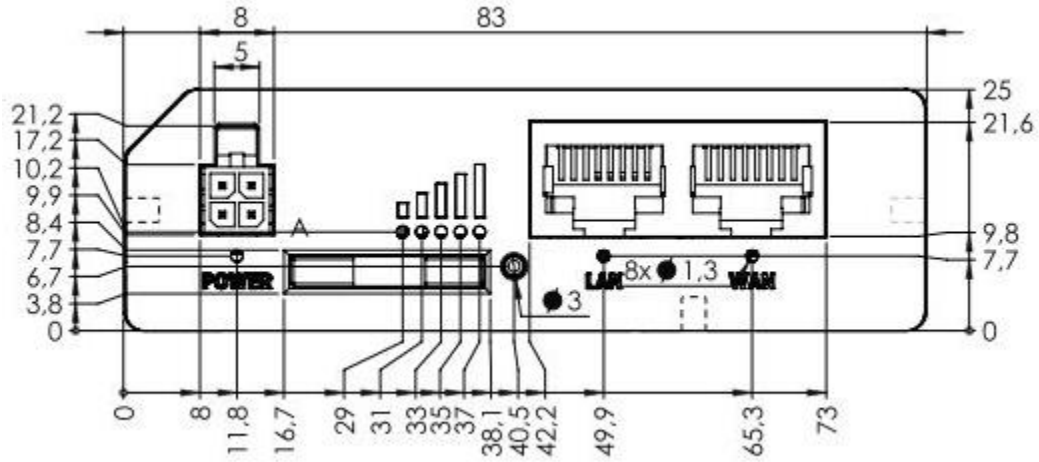
---

The figure below depicts the measurements of RUT241 and its components as seen from the right side:



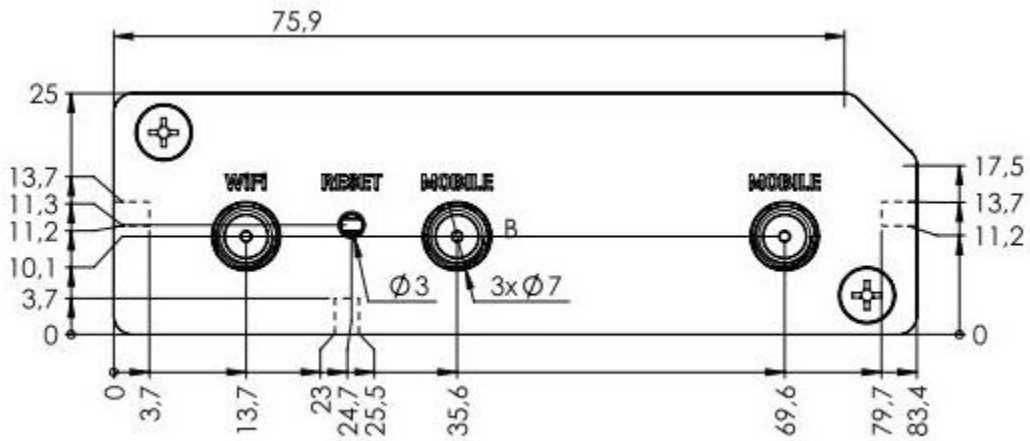
## FRONT VIEW

The figure below depicts the measurements of RUT241 and its components as seen from the front panel side:



## REAR VIEW

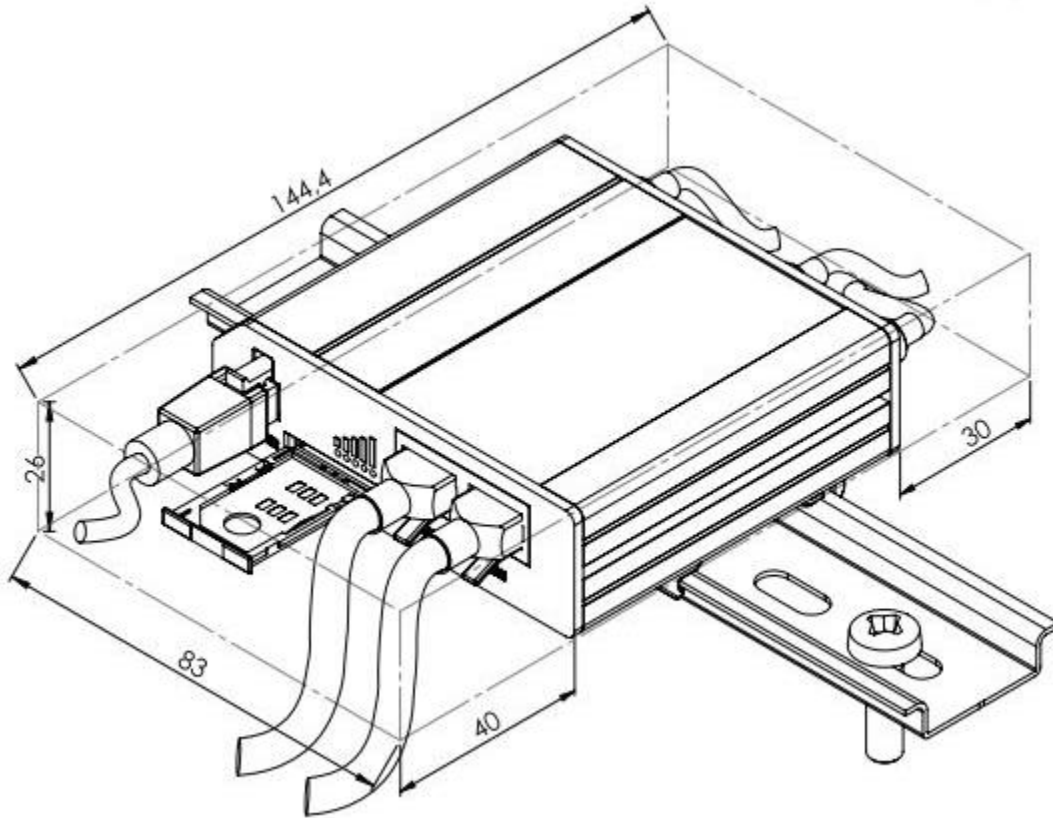
The figure below depicts the measurements of RUT241 and its components as seen from the back panel side:



## MOUNTING SPACE REQUIREMENTS

---

The figure below depicts an approximation of the device's dimensions when cables and antennas are attached:



DIN RAIL

---

The scheme below depicts protrusion measurements of an attached DIN Rail:

